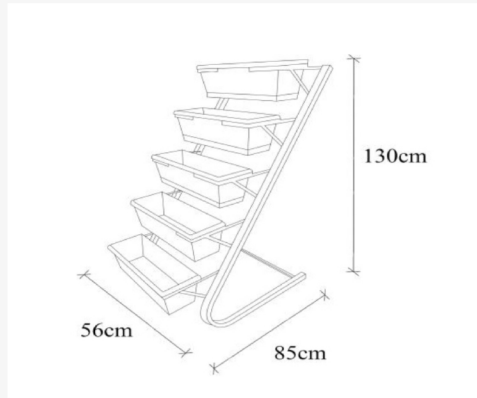
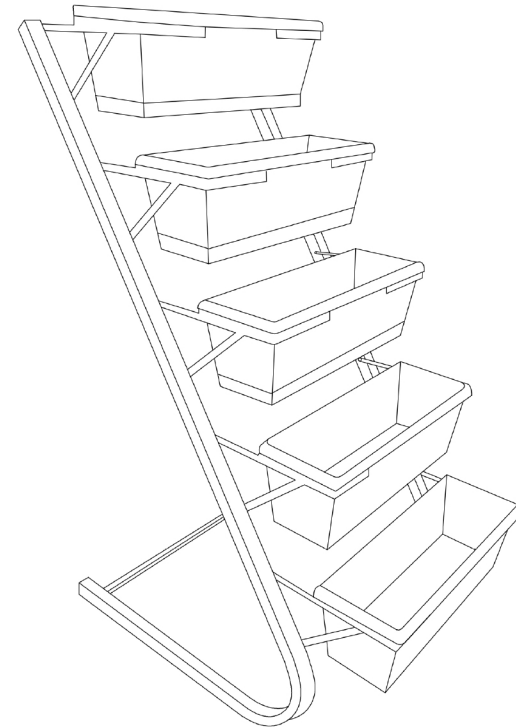


POT STAND/DATASHEET



POT STAND

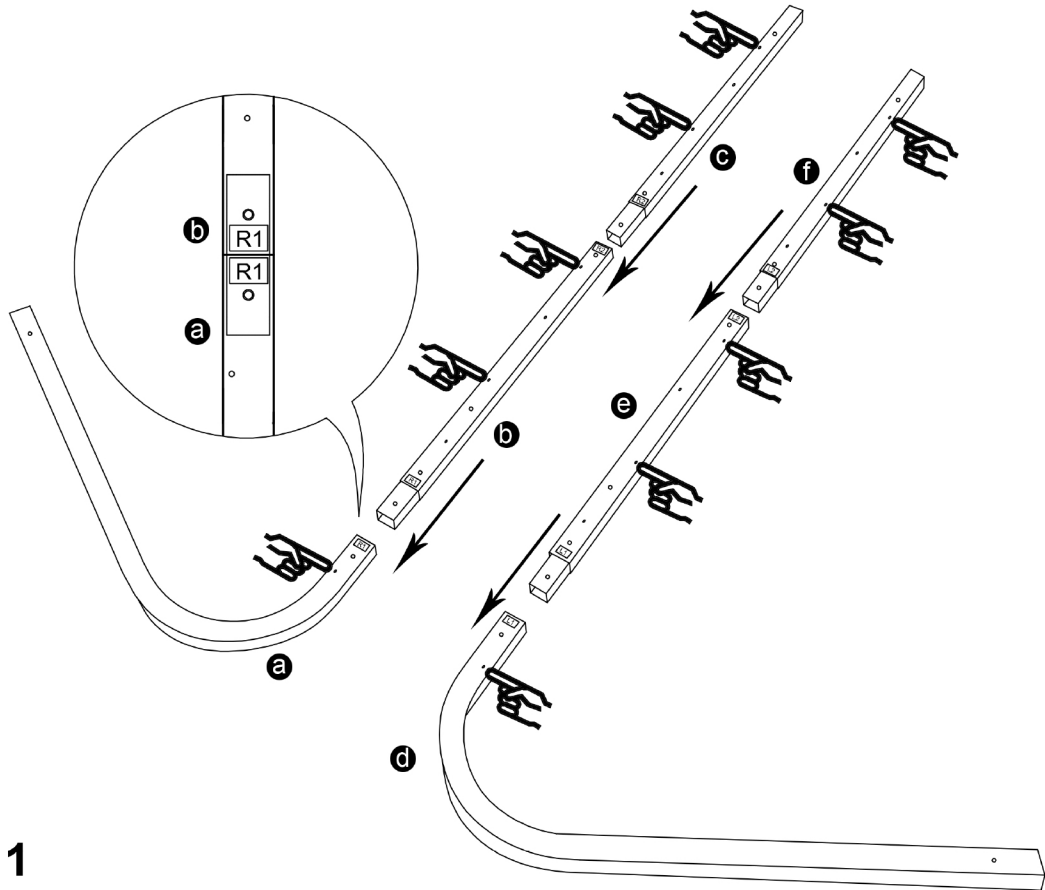
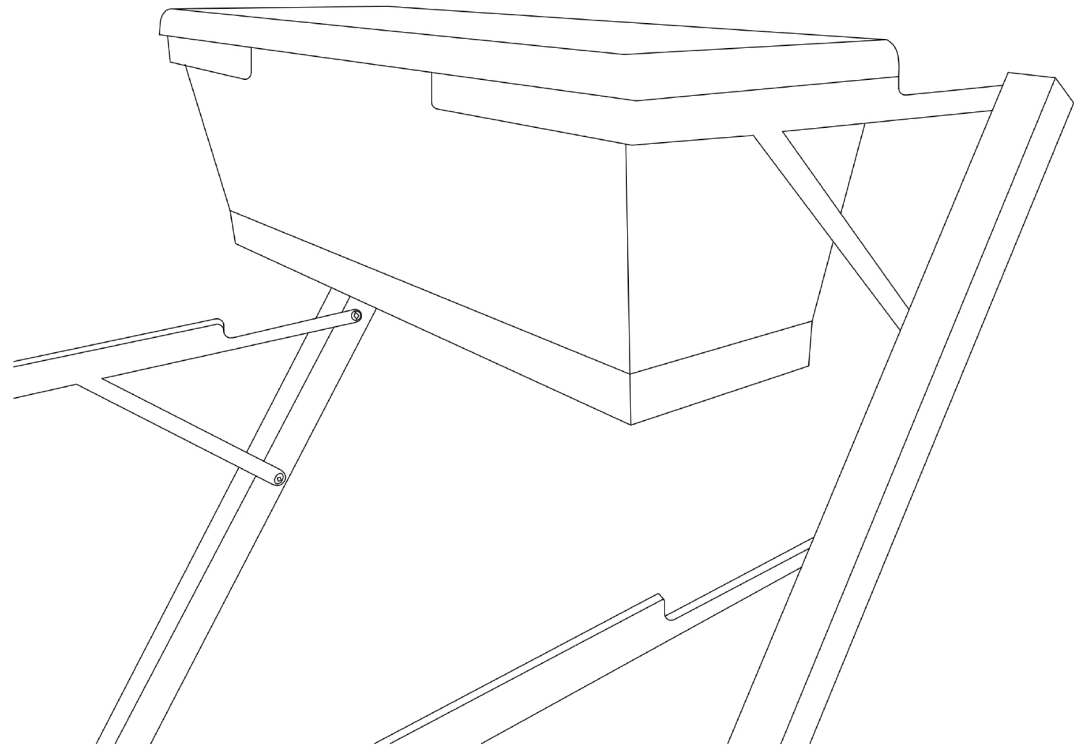
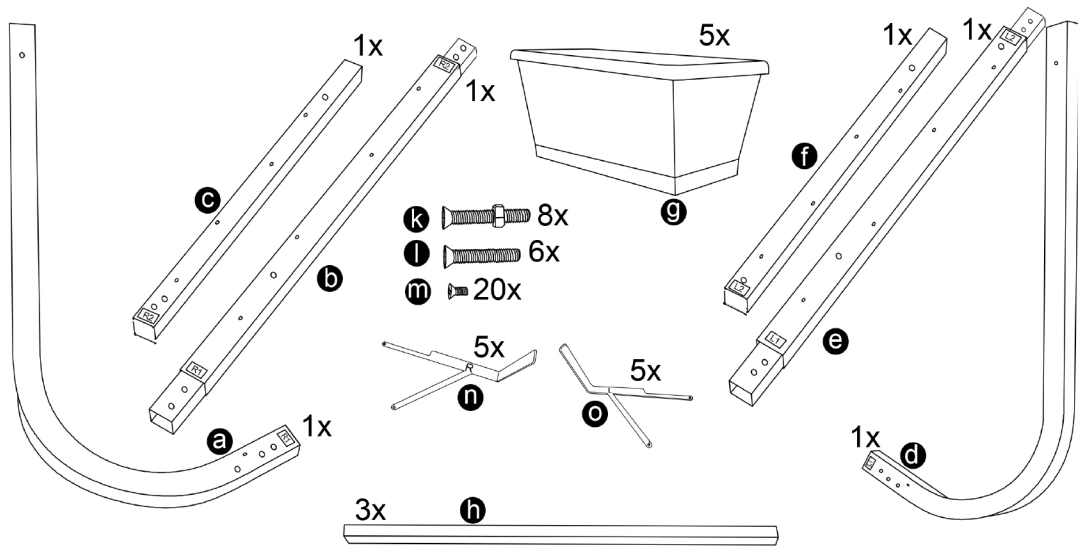
Assembly Guide

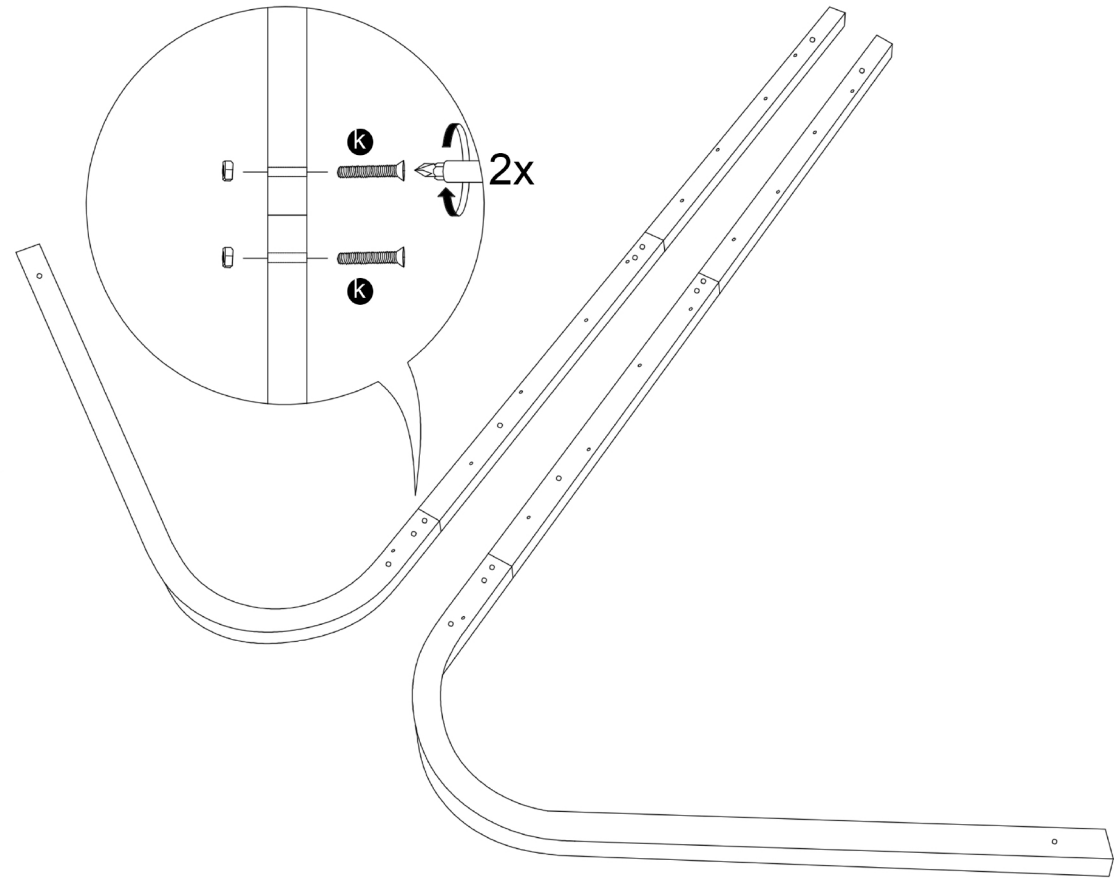
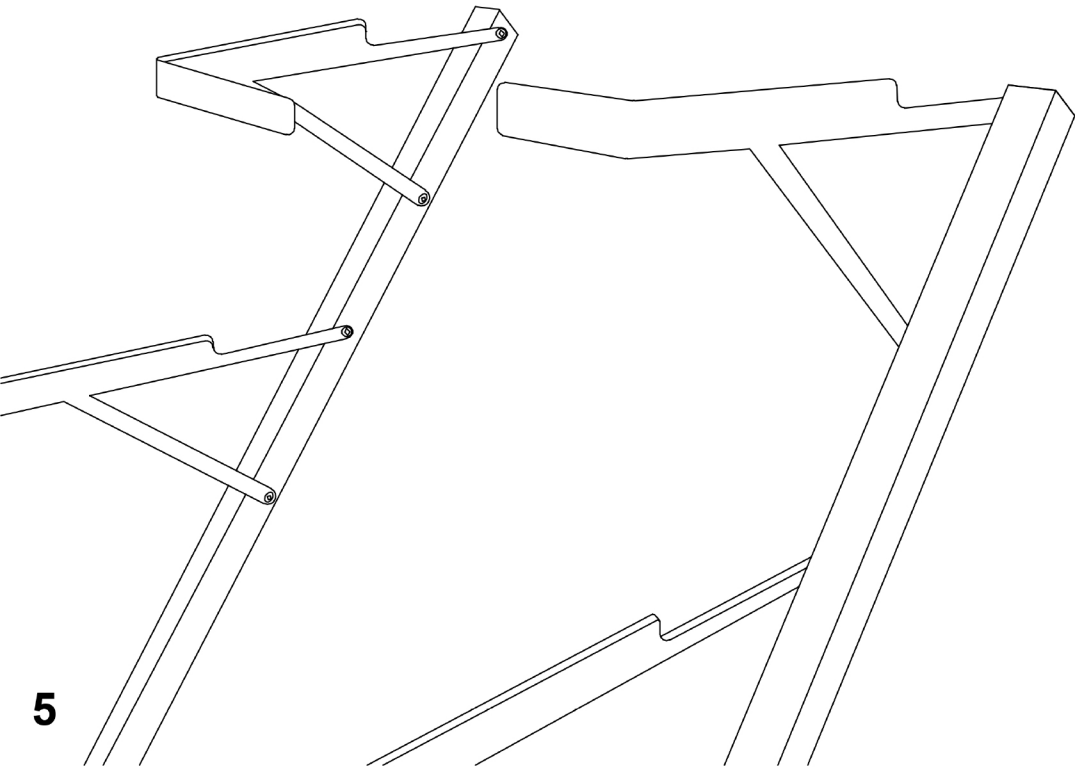
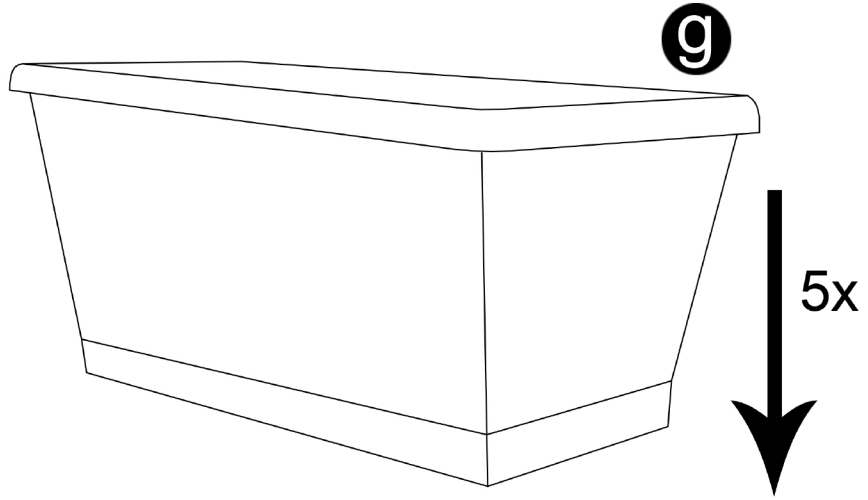


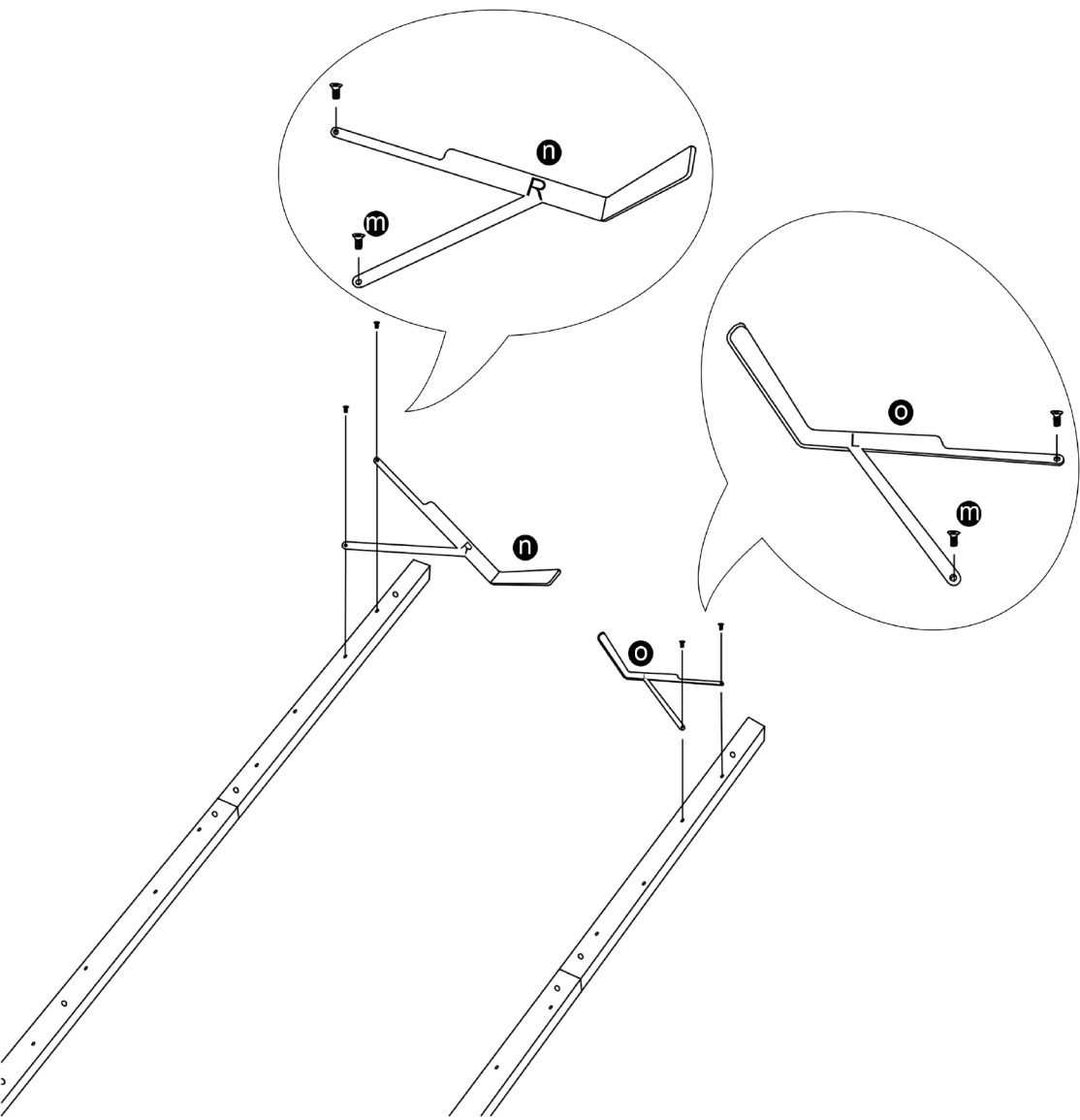
TECNICAL SPECIFICATION

MATERIAL	METAL,PLASTIC
FINISH	BLACK
IP RATING	IP30
POT SIZE	53x19x18cm
STAND DIMENSIONS	56x85x130cm
TOTAL WEIGHT	11kg
ASSEMBLY	ASSEMBLY REQUIRED
CARRYING CAPACITY	1 tier max 7kg

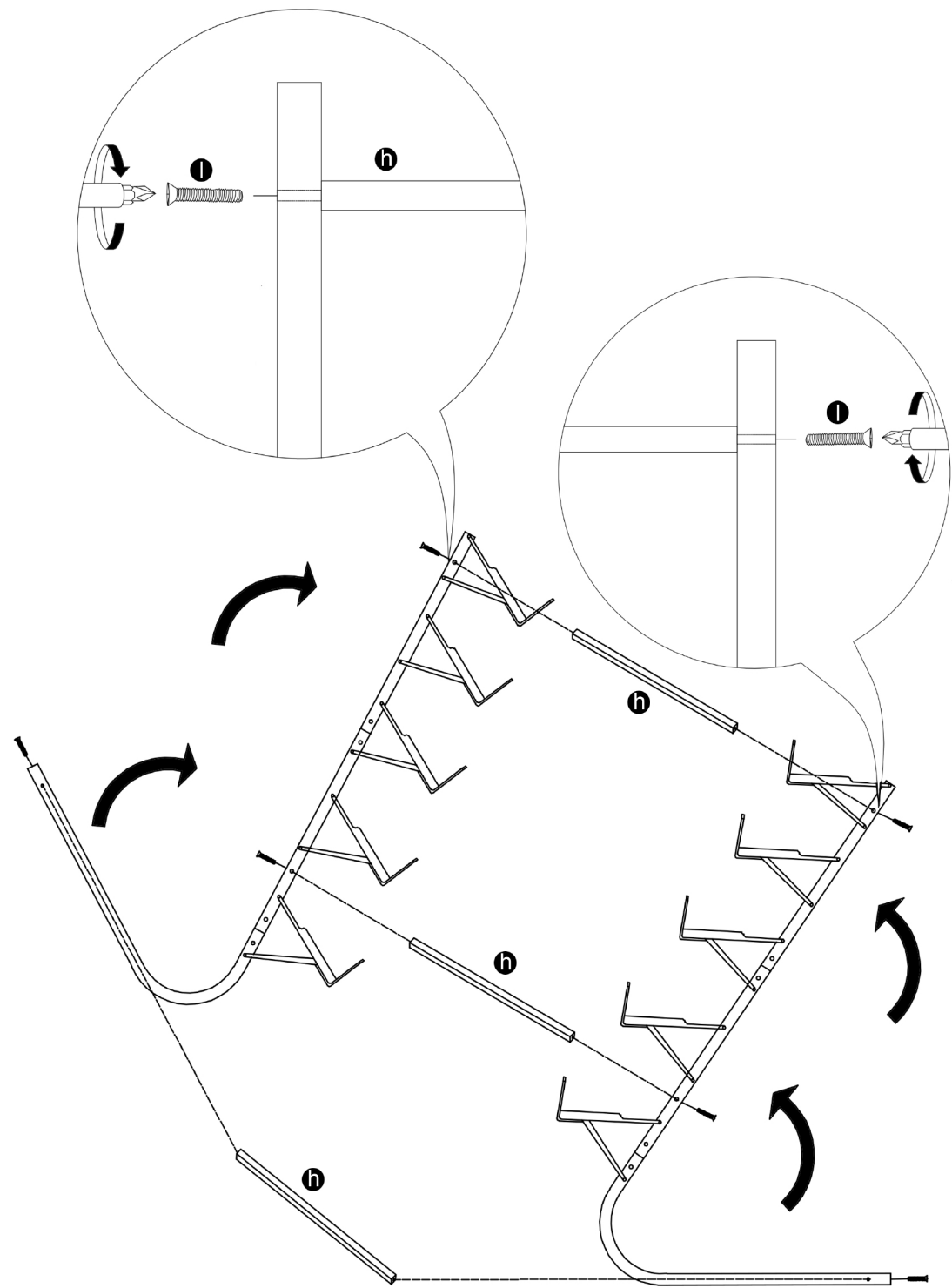
ACCESSORY LIST







3



4